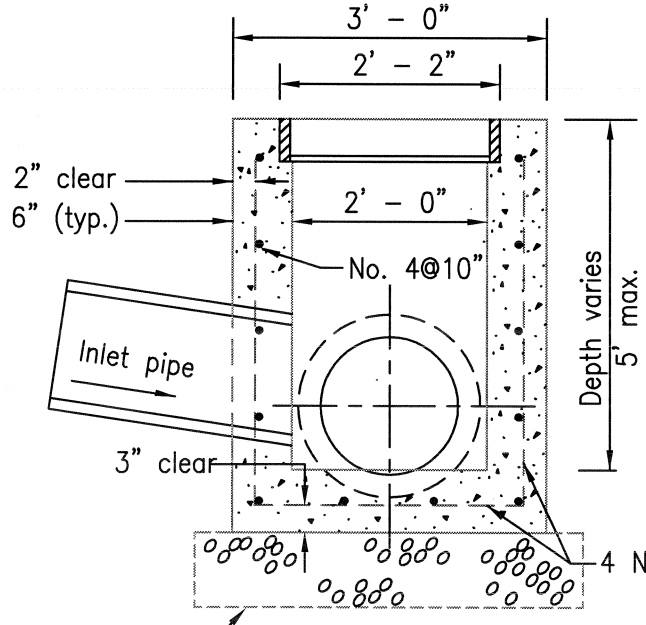
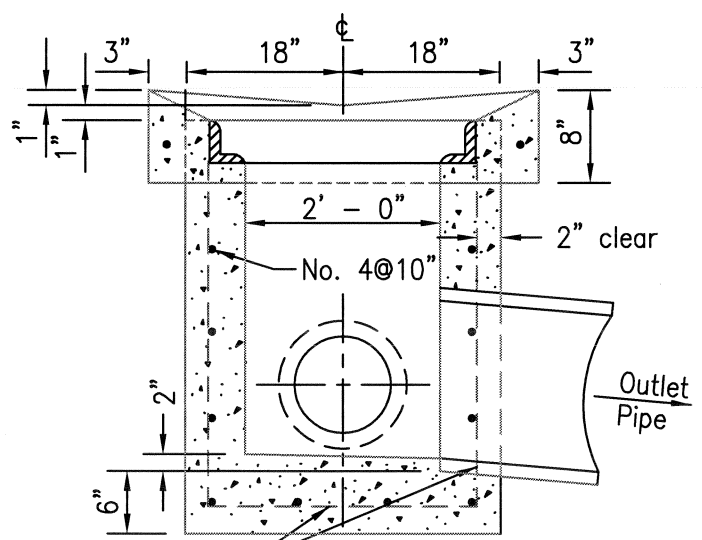


PLAN



SECTION B-B



SECTION A-A

8" CL. 2 AB
OR 1 1/2" DRAIN ROCK FOR BAY MUD

NOTES:

1. Max. outlet pipe 12" diameter.
2. For outlets greater than 12", or deeper than 5', box design shall have prior approval.
3. Provide survey stakes to indicate location and elevation.
4. A concrete apron is required for inlets at valley gutters and paved areas.

NOT TO SCALE

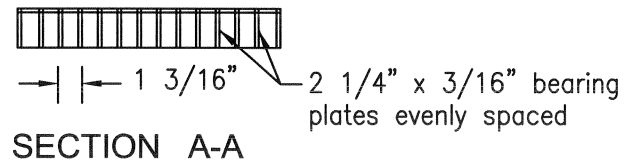
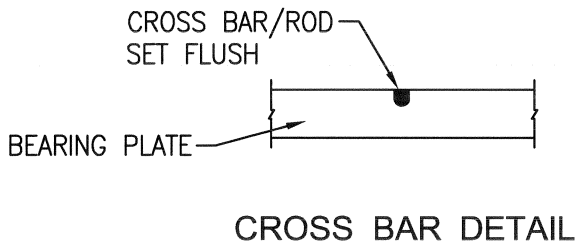
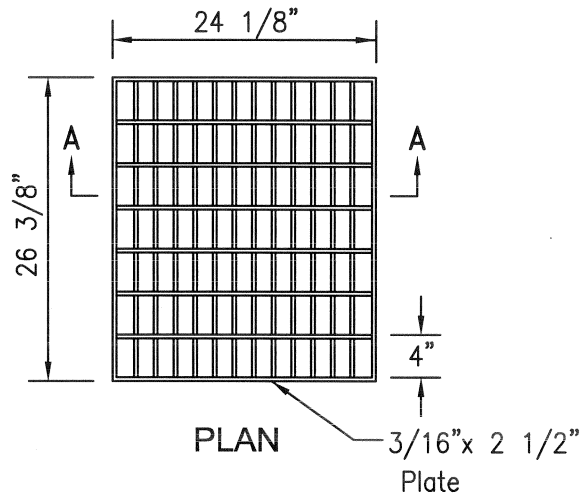
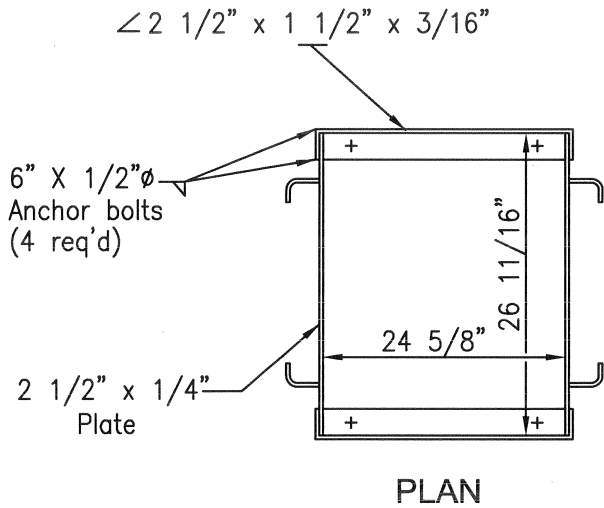
**STANDARD
DETAIL**

**CITY OF BRISBANE
DEPARTMENT OF PUBLIC WORKS**

DATE: 08/12/08

JUNCTION BOX/AREA DRAIN

**D-2
SHT 1 OF 2**



NOTES:

1. Frame and grate to be made of carbon steel.
2. All surfaces to be galvanized after fabrication.
3. Equivalent to Santa Rosa Model HG grate.

NOT TO SCALE

**STANDARD
DETAIL**

CITY OF BRISBANE
DEPARTMENT OF PUBLIC WORKS

DATE: 08/12/08

JUNCTION BOX/AREA DRAIN

D-2
SHT 2 OF 2