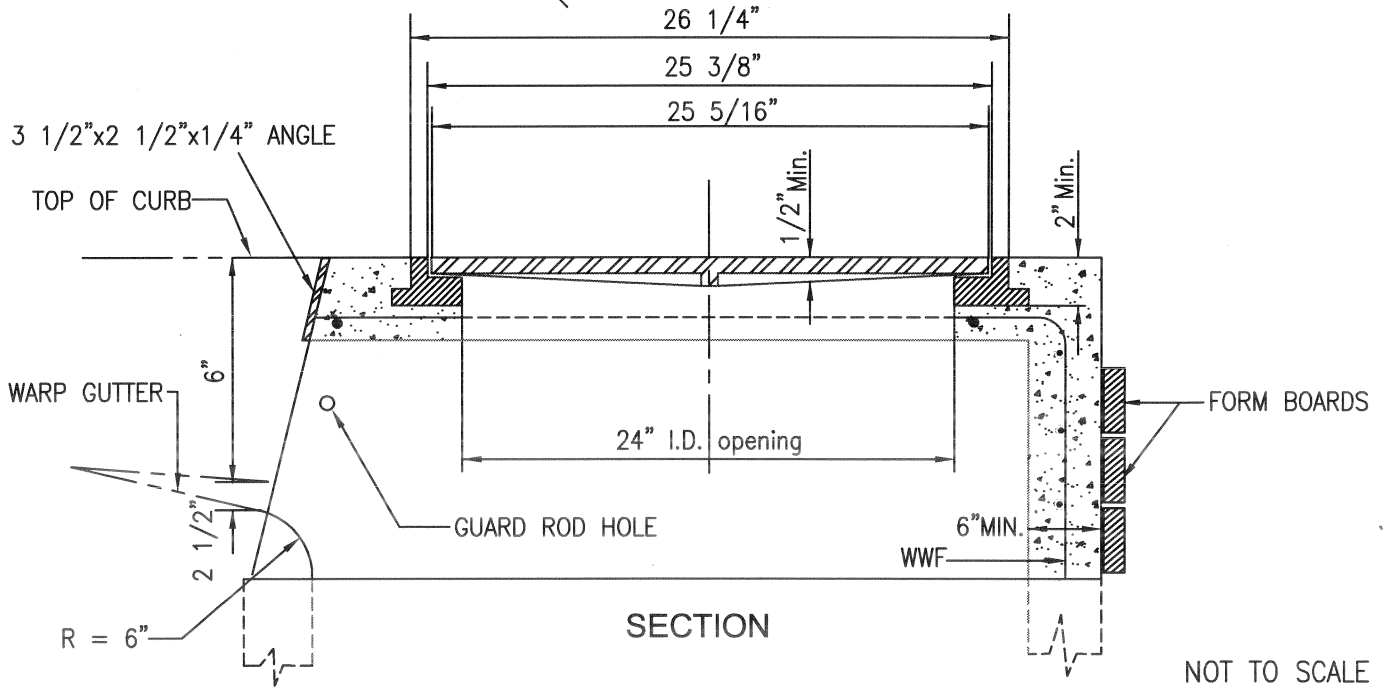
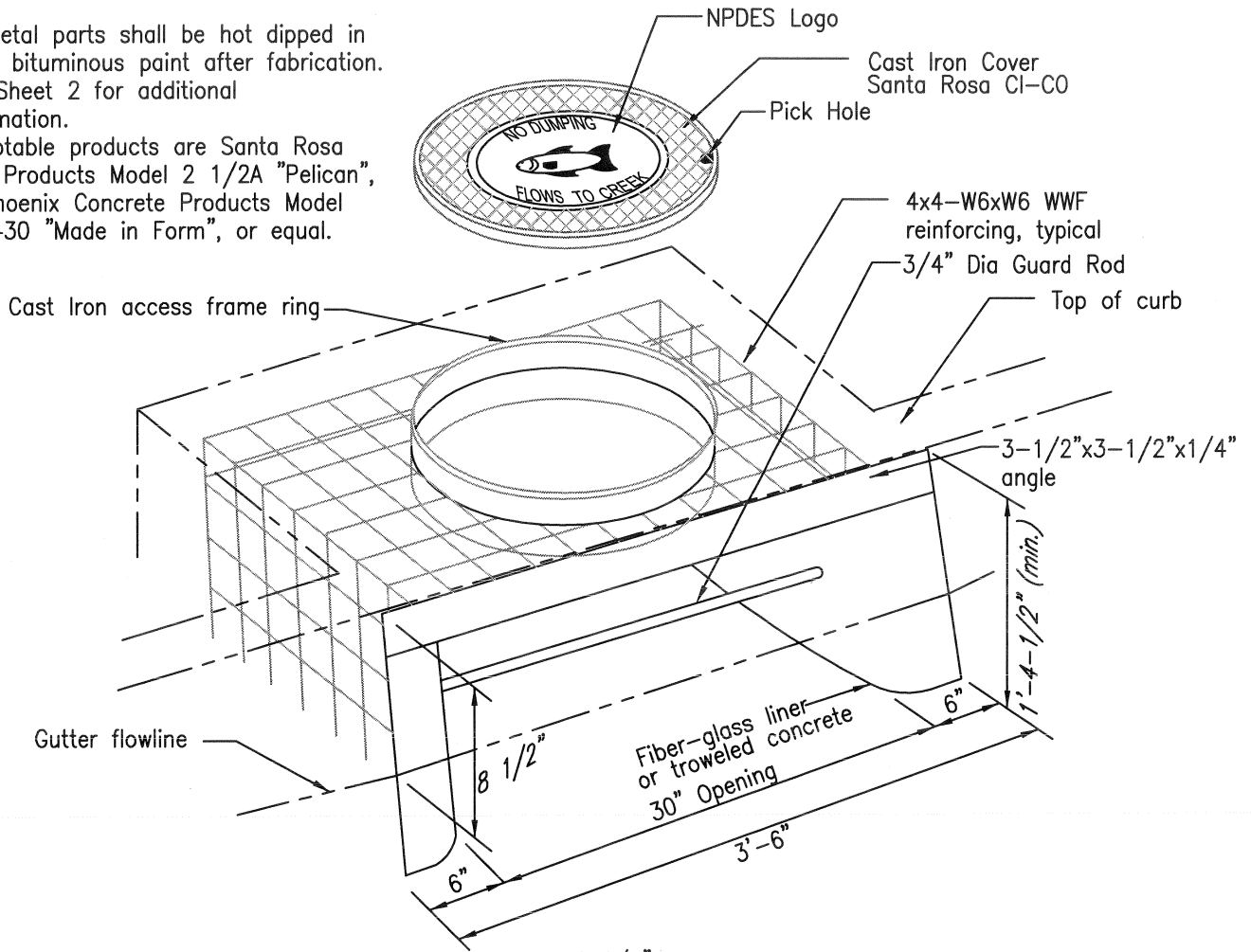


NOTES:

1. All metal parts shall be hot dipped in black bituminous paint after fabrication.
2. See Sheet 2 for additional information.
3. Acceptable products are Santa Rosa Cast Products Model 2 1/2A "Pelican", or Phoenix Concrete Products Model M-2430 "Made in Form", or equal.



NOT TO SCALE

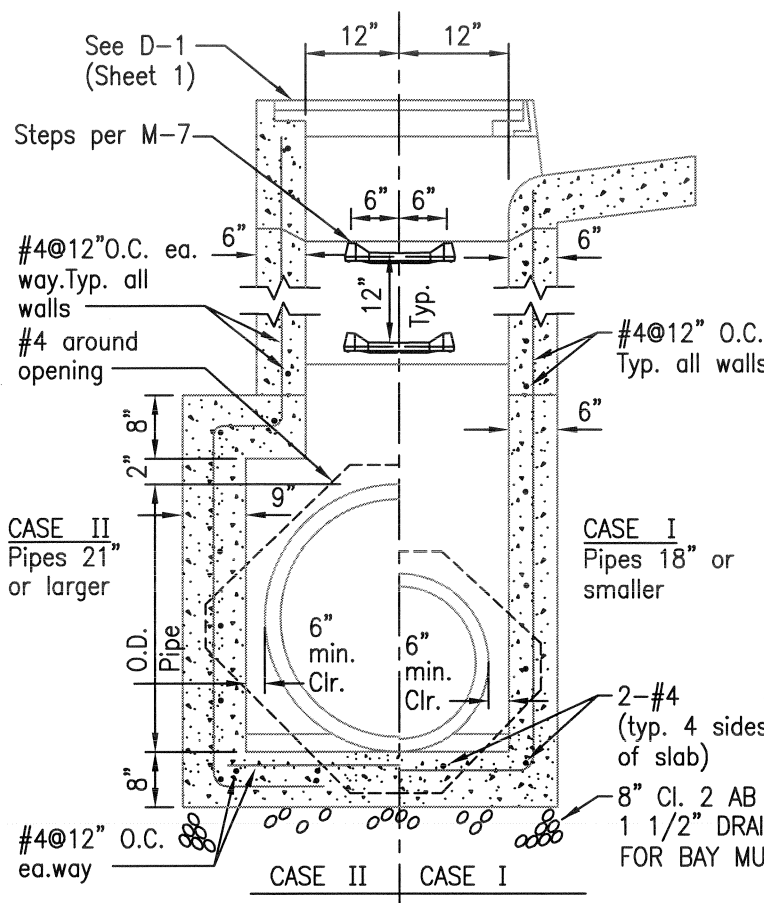
**STANDARD
DETAIL**

CITY OF BRISBANE
DEPARTMENT OF PUBLIC WORKS

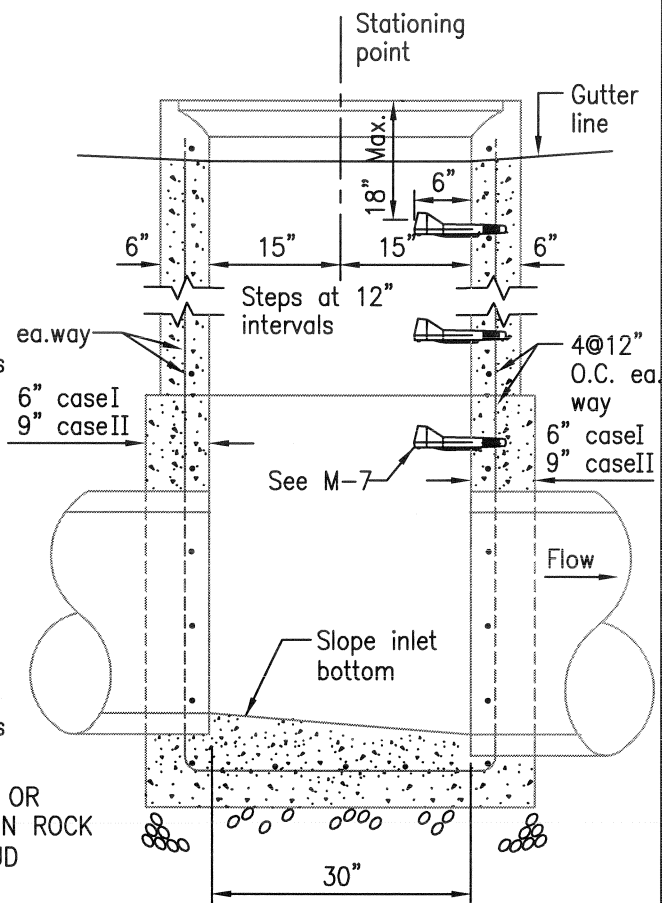
DATE: 08/12/08

CURB INLET TOP

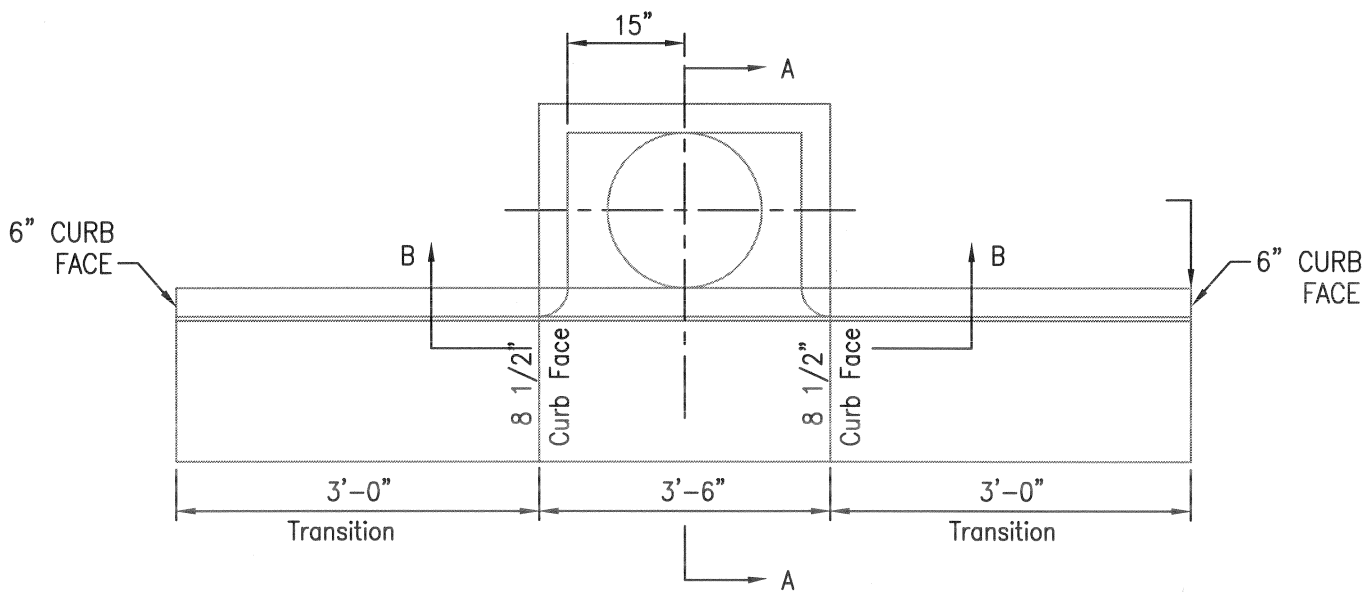
D-1
SHT 1 OF 2



SECTION A-A



SECTION B-B



PLAN

NOT TO SCALE

STANDARD
DETAIL

CITY OF BRISBANE
DEPARTMENT OF PUBLIC WORKS

DATE: 08/12/08

CURB INLET BASE

D-1
SHT 2 OF 2